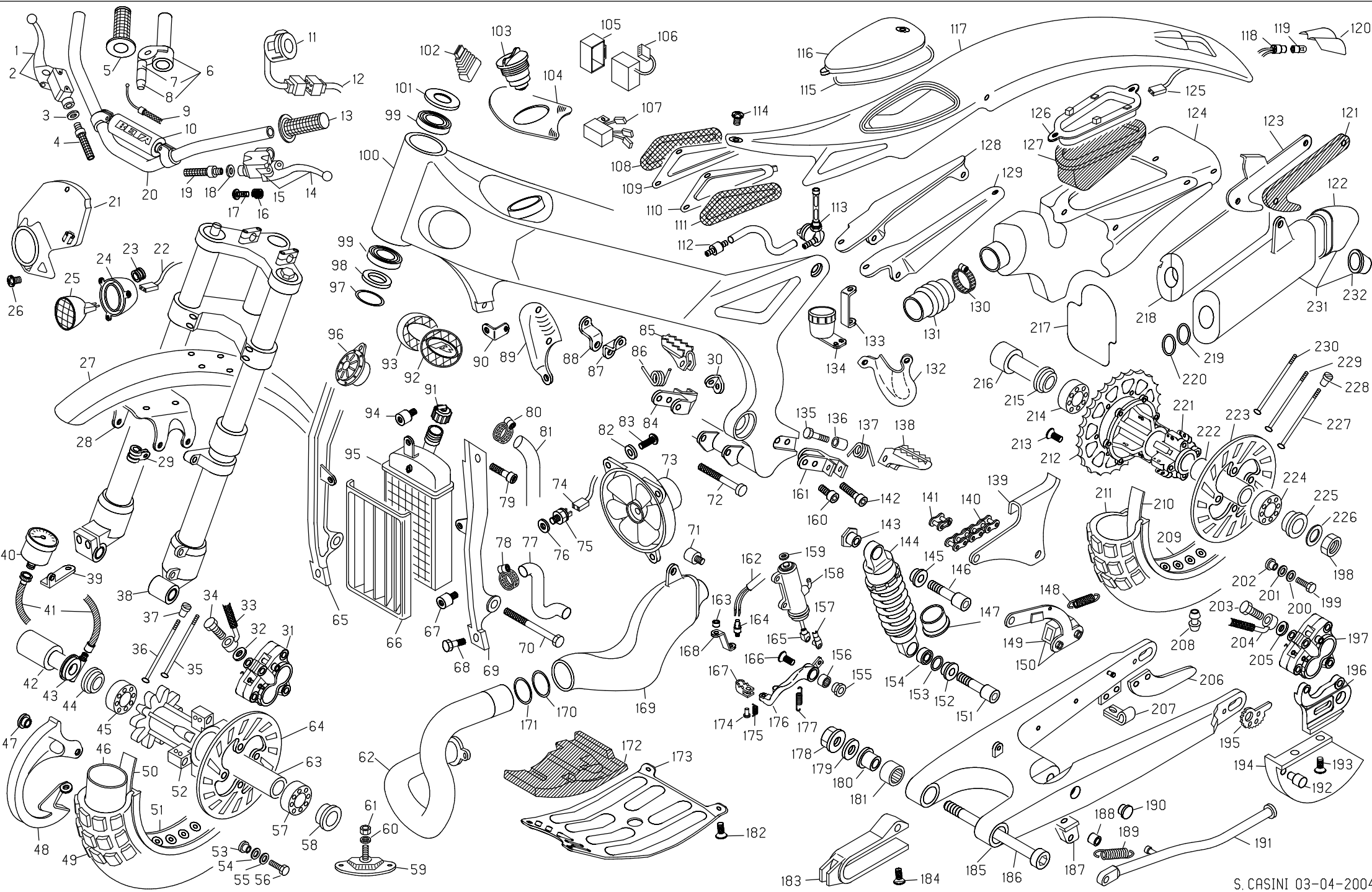


N.	CODICE	DESCRIZIONE	N.	CODICE	DESCRIZIONE	N.	CODICE	DESCRIZIONE	N.	CODICE	DESCRIZIONE
1	21-27101	LEVA FRENO NUDA	68	11-54521	BULLONE 8x16	135	11-55700	BULLONE 8x45	202	13-62250	DISTANZIALE DISCO FRENO
2	21-02052	LEVA COMANDO FRENO ANT.	69	29-11342	TELAIO COLLEGAMENTO SX.	136	13-46530	DISTANZIALE 8x12x17	203	11-65040	BULLONE SPEC. TUBO FRENO
3	16-50510	GUARNIZIONE IN RAME	70	11-63960	BULLONE 10x140	137	22-62020	MOLLA PEDANA SX.	204	29-09141	TUBO FRENO A DISCO POST. COMPL.
4	29-09114	TUBO FRENO A DISCO ANT.	71	28-91942	SILENT BLOCK	138	25-32530	PEDANA P/PIEDI SX	205	16-50510	GUARNIZIONE IN RAME
5	22-18531	MANOPOLE -COPPIA-	72	31-65625	VITE TCCE 10x100	139	12-84863	COPRIPATENA	206	25-98955	PROTEZIONE CORONA
6	12-55091	COMANDO GAS	73	14-01030	ELETTROVALTA COMPLETA	140	12-08200	CATENA 1/2x5/16 P.126	207	15-14300	FASCETTA TUBO FRENO
7	12-55960	COPERCHIETTO COM.DO GAS	74	18-01851	IMPIANTO TERMOINTERRUTTORE	141	22-11180	MAGLIA CATENA	208	31-10001	VALVOLA ARIA TUBLESS
8	16-34080	GOMMINO DI PROTEZIONE	75	29-11960	TERMOINTERRUTTORE	142	31-63890	VITE TCCE 8x20	209	12-42921	CERCHIO POSTER. 18
9	29-14791-0-52	TRASMISSIONE GAS	76	16-49500	GUARNIZIONE IN RAME	143	13-21847	DADO SPEC. AMMORTIZZ.	210	15-38205	FLAP
10	16-23593-0-97	GOMMA MANUBRIO	77	29-15861	TUBO RADIAT-POMPA ACQUA	144	10-03717	AMMORTIZZATORE	211	12-81470	COPERTURA 4,00x18
11	13-36640	DIP LUCI NUDO	78	15-15230	FASCETTA 14/24	145	11-28812	BOCCOLA PER SNODO SFERICO	212	12-89674	CORONA Z. 55
12	18-01671	IMPIANTO	79	31-63881	VITE TCCE 8x16 TESTA BASSA	146	11-65022	BULLONE SPEC. AMMORTIZZ.	213	31-63940	VITE TSPCE 8x20
13	22-18531	MANOPOLE -COPPIA-	80	15-15230	FASCETTA 14/24	147	15-39100	FODERO COPRISTELO AMMORTIZZ.	214	12-98010	CUSCINETTO 20x42x12
14	21-27081	LEVA FRIZ. NUDA	81	29-15881	TUBO RADIATORE-MOTORE	148	22-81112	MOLLA RITORNO TENDICAT.	215	13-85773	DISTANZIALE POST. DX.
15	21-02421	LEVA COMANDO FRIZIONE	82	27-43000	RONDELLA IN GOMMA 6x20x3	149	16-22500	GOMMINO TENDICATENA	216	25-55763	PERNO RUOTA POSTER. "ERGA"
16	22-38700	MOLLA	83	31-30520	VITE TTLC 6x16	150	25-25953	PATTINO TENDICAT. COMPL.	217	25-24412	PARASCHIZZI SCATOLA FILTRO
17	31-88600	VITE	84	28-99292	SUPPORTO PEDANA DX.	151	11-65022	BULLONE SPEC. AMMORTIZZ.	218	25-94585	PREFORMATO PER SILENZIATORE
18	16-50510	GUARNIZIONE IN RAME	85	25-32520	PEDANA P/PIEDI DX.	152	11-28811	BOCCOLA PER SNODO SFERICO	219	10-66680	ANELLO OR 28.25 VYTON
19	29-09090	TUBO FRIZIONE IDRAULICA	86	22-62010	MOLLA PEDANA DX.	153	10-67361	ANELLO -OR- AMMORTIZZ.	220	10-66680	ANELLO OR 28.25 VYTON
20	22-20458	MANUBRIO	87	28-97415	STAFFA SUPPORTO TESTA	154	28-93021	SNODO SFERICO AMMORTIZZ.	221	22-08024-0-57	MOZZO POST. CON CUSCINETTI
21	22-28693-0-97	MASCH. PORTAFARO C/DECALCO	88	28-97415	STAFFA SUPPORTO TESTA	155	11-28611	BOCCOLA PEDALE FRENO	222	13-62717	DISTANZ. LE POST. INTERNO
22	18-01513	IMPIANTO COLLEG. TO FARO ANTER.	89	28-95327-0-59	SUPPORTO BOBINA	156	11-22220	BOCCOLA A RULLINI	223	13-39314	DISCO FRENO POST.
23	28-91500	SILENT BLOCK	90	28-97019	STAFFA SUPPORTO BOBINA	157	28-93130	STAFFA BLOCC. ASTA FRENO	224	12-98010	CUSCINETTO 20x42x12
24	12-03160-0-59	CAPPUCCIO LAMPADA FARO ANTER.	91	29-01821	TAPPO RADIATORE	158	25-91180	POMPA FRENO POSTER.	225	13-85760	DISTANZIALE POST. SX.
25	21-16750	LAMPADA ANTERIORE	92	16-44561-0-59	GRIGLIA SX	159	16-50510	GUARNIZIONE RAME 10x15x1	226	27-71210	RONDELLA 17x31x3
26	31-29860	VITE 5x16	93	16-44560-0-59	GRIGLIA DX	160	31-63910	VITE TCCE 8x30	227	27-24661	RAGGIO POST. LATO DISCO
27	25-15190-0-97	PARAF. ANTER. C/DECALCO	94	28-91941	SILENT-BLOCK	161	28-99302	SUPPORTO PEDANA SX.	228	23-10110	NIPPLES RAGGIO POSTER.
28	28-98277	SUPPORTO PARAFANGO ANTER.	95	27-23632	RADIATORE	162	18-01514	IMPIANTO INTERRUPTORE STOP	229	27-24664	RAGGIO POST. LATO DISCO/CORONA
29	15-14600	FASCETTA TUBO FRENO A DISCO	96	10-09222	AVVISATORE ACUSTICO	163	13-46370	DISTANZIALE	230	27-24663	RAGGIO POST. LATO CORONA
30	28-97358	STAFFA	97	10-66860	ANELLO OR 34.6x2.62	164	18-87000	INTERRUPTORE STOP	231	28-91869	SILENZIATORE COMPLETO
31	25-03042	PINZA FRENO ANTER.	98	10-67390	ANELLO PARAPOLVERE	165	10-84090	ASTA POMPA FRENO POST.	232	16-29602	GOMMINO PER SILENZIATORE
32	16-50510	GUARNIZIONE IN RAME	99	12-98300	CUSCINETTO CONICO	166	31-63940	VITE TSPCE 8x25			
33	29-09114	TUBO FRENO A DISCO ANT.	100	29-11482	TELAIO ANTERIORE	167	22-90052	MOZZETTO CON PEDANINA			
34	11-65040	BULLONE SPEC. TUBO FRENO	101	28-17750	SCODELLINO PARAPOLVERE	168	28-95261	STAFFA INTERRUPTORE STOP			
35	27-24192	RAGGIO ANTER. LATO DISCO	102	16-21910-0-59	GOMMINO PASSAFILLI	169	22-03357	MARMITTA CENTRALE			
36	27-24193	RAGGIO ANTER. LATO CONTRA-KM	103	29-10512-8	TAPPO SERBATOIO COMPLETO	170	10-67100	ANELLO OR 52.07 VYTON			
37	23-10100	NIPPLES RAGGIO ANTER.	104	12-88514-0-97	COPRISERBATOIO	171	10-67100	ANELLO OR 52.07 VYTON			
38	15-08047	FORCELLA	105	16-23325	GOMMA SUPPORTO CENTRALINA	172	16-23320	GOMMA CARTER PARASASSI			
39	28-97231	STAFFA CONTRA-KM	106	12-41824	CENTRALINA	173	12-32182	CARTER PARASASSI			
40	12-09360	CONTRA-KM	107	27-28092	REGOLATORE ELETTRONICO	174	25-54450	PERNO PEDANINA FRENO			
41	29-25400-0-52	TRASMISSIONE CONTRA-KM	108	27-28490	RETE PARAFANGO POST. DX	175	22-62090	MOLLA RITORNO PEDANINA			
42	25-56811	PERNO RUOTA ANTER. "ERGA"	109	12-55781	CONT. RETE PARAF. POST. DX	176	25-28101	PEDALE FRENO			
43	27-32462	RINVIO CONTRA-KM	110	12-55780	CONT. RETE PARAF. POST. SX	177	22-62171	MOLLA RITORNO PEDALE FR.			
44	13-85764	DISTANZIALE ANT.	111	27-28491	RETE PARAFANGO POST. SX	178	13-29510	DADO SPEC. FORCELLONE			
45	12-98010	CUSCINETTO 20x42x12	112	15-24651	FILTRO BENZINA	179	27-67500-0-60	RONDELLA SPESS. 16x25x0,6			
46	12-16410	CAMERA 2.75x21	113	27-79951	RUBINETTO	180	13-49200	DISTANZIALE FORCELL.			
47	13-55240	DISTANZIALE COPRIDISCO	114	31-30530	VITE TTLC 6x12	181	11-23000	BOCCOLA A RULLI 22x28x18			
48	12-88262-1-18	COPRIDISCO ANTER.	115	16-75910	GUARNIZIONE Ø5x500	182	31-64070	VITE FLANGIATA 8x25			
49	12-79400	COPERTURA 2.75x21	116	12-73213-0-97	COPERCHIO ACCESSO FILTRO	183	29-10082-0-52	TASSELLO GUIDACATENA			
50	15-38200	FLAP 21	117	25-19687-0-97	PARAF. POSTER. C/DECALCO	184	31-30540	VITE TTLC 6x16			
51	12-42531	CERCHIO ANTER. 21	118	25-91760	PORTALAMPADA FANALINO POST.	185	15-49594-8	FORCELLONE			
52	22-07190-0-57	MOZZO ANTERIORE	119	21-15520	LAMPADA 12V-4W	186	25-55770	PERNO FORCELLONE			
53	13-62250	DISTANZIALE DISCO FRENO	120	15-01821	FANALINO POSTERIORE	187	28-98575-0-66	SUPPORTO CAVALLETTO			
54	22-31980	MOLLA A TAZZA	121	15-02504	FELTRO ISOLANTE PER MARMITTA	188	13-46300	DISTANZIALE CAVALLETTO			
55	27-57510	RONDELLA 6x18	122	12-54321-0-59	CODINO SILENZIATORE	189	22-47024	MOLLA CAVALLETTO			
56	11-49510	BULLONE 6x25	123	12-88413	COPRIMARMITTA	190	29-10593	TAPPO IN GOMMA FORCELLONE			
57	12-98010	CUSCINETTO 20x42x12	124	28-12747-0-59	SCATOLA FILTRO	191	12-39934-0-66	CAVALLETTO			
58	13-85764	DISTANZIALE ANT.	125	18-01423	IMPIANTO FANALINO POSTERIORE	192	16-29492	GOMMINO BATTUTA CAVALLETTO			
59	15-17500	FERRAFASCIONI ANTER.	126	28-98098-0-59	SUPPORTO FISSAGGIO FILTRO	193	31-73000	VITE TCIC 4x8			
60	27-48000	RONDELLA 8 GROWER	127	15-26053	FILTRO IN SPUGNA	194	12-88052-0-52	COPRIDISCO POSTER. INF.			
61	13-17000	DADO 8x8	128	28-97018	STAFFA SUPPORTO SCATOLA DX	195	29-11860	TENDICATENA			
62	29-16249	TUBO SCARICO	129	28-97017	STAFFA SUPPORTO SCATOLA SX	196	28-94553	STAFFA REGGIPINZA			
63	13-62703	DISTANZ. LE ANTER. INTERNO	130	15-15380	FASCETTA 33/53	197	25-03046	PINZA FRENO POSTER.			
64	13-39277	DISCO FRENO ANTER.	131	22-13641	MANICOTTO SCATOLA FILTRO	198	13-29600	DADO 16x15			
65	29-11332	TELAIO COLLEGAMENTO DX.	132	13-36050	DEFLETTORE AMMORTIZZATORE	199	11-49010	BULLONE 6x20			
66	16-45542-1-67	GRIGLIA RADIATORE	133	28-95311	STAFFA SERBATOIO OLIO	200	27-57510	RONDELLA 6x18			
67	28-91942	SILENT BLOCK	134	28-05101	SERBATOIO OLIO FRENI	201	22-31980	MOLLA A TAZZA			

PARTICOLARI NON FIGURANTI

12-43030	CHIAVE CANDELA
13-33815	DECALCO COMPLETAMENTO
13-33815-1	DECALCO PARAFANGO ANTER.
13-33815-2	DECALCO PARAFANGO POST.
13-33815-3	DECALCO MASCHERINA ANTER.
13-33815-4	DECALCO FORCELLONE
27-02563-0-57	RUOTA ANT. COMPL. NON GOMMATA
27-02563-4-57	RUOTA ANT. COMPL. GOMMATA
27-04786-0-57	RUOTA POST. COMPL. NON GOMMATA
27-04786-4-57	RUOTA POST. COMPL. GOMMATA
28-92929	SPECCCHIO RETROVISORE
37-62963	MOTORE

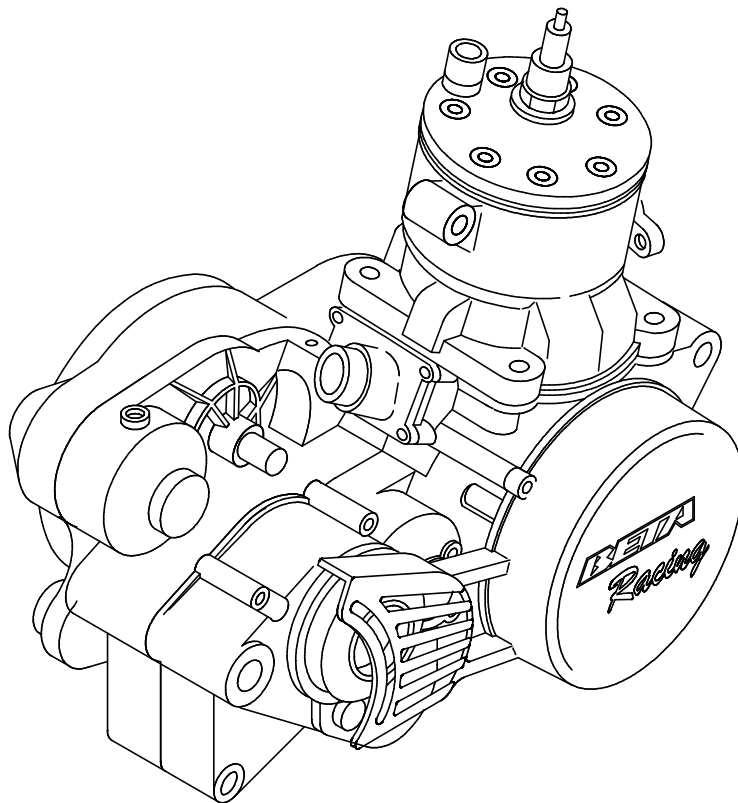


N. CODE	DESCRIPTION	N. CODE	DESCRIPTION	N. CODE	DESCRIPTION	N. CODE	DESCRIPTION	
1	21-27101	FRONT BRAKE LEVER ONLY	68	11-54521	BOLT	135	11-55700	BOLT
2	21-02052	FRONT BRAKE LEVER	69	29-11342	LH FRONT FRAME	136	13-46530	SPACER
3	16-50510	COPPER GASKET	70	11-63960	BOLT	137	22-62020	LH FOOTREST SPRING
4	29-09114	FRONT BRAKE HOSE	71	28-91942	SILENT BLOCK	138	25-32530	LH FOOTREST
5	22-18531	HAND-GRIPS	72	31-65625	SCREW	139	12-84863	CHAINGUARD
6	12-55091	THROTTLE KIT	73	14-01030	ELECTRIC FAN	140	12-08200	CHAIN
7	12-55960	TWIST GRIP COVER	74	18-01851	THERMOSTAT ELECT. EQUIPMENT	141	22-11180	CONNECTING LINK
8	16-34080	GROMMET	75	29-11960	THERMOSTAT	142	31-63890	SCREW 8x20
9	29-14791-0-52	THROTTLE CABLE	76	16-49500	COPPER GASKET	143	13-21847	SPECIAL NUT
10	16-23593-0-97	HANDLEBAR RUBBER	77	29-15861	RADIATOR PUMP HOSE	144	10-03717	SHOCK ABSORBER
11	13-36640	SWITCH	78	15-15230	CLAMP	145	11-28812	BUSH
12	18-01671	ELECTRIC EQUIPMENT	79	31-63881	SCREW	146	11-65022	SPECIAL BOLT
13	22-18531	HAND-GRIPS	80	15-15230	CLAMP	147	15-39100	RETAINER
14	21-27081	CLUTCH LEVER ONLY	81	29-15881	RADIATOR HOSE	148	22-81112	SPRING
15	21-02421	CLUTCH LEVER	82	27-43000	GROMMET GASKET	149	16-22500	CHAIN TENS BLOCK
16	22-38700	SPRING	83	31-30520	SCREW	150	25-25953	SLIDING BLOCK
17	31-88600	SCREW	84	28-99292	RH FOOTREST BRACKET	151	11-65022	SPECIAL BOLT
18	16-50510	CUPPER WASHER	85	25-32520	RH FOOTREST	152	11-28811	BUSH
19	29-09090	HYDRAULIC CLUTCH HOSE	86	22-62010	RH FOOTREST SPRING	153	10-67361	OIL SEAL
20	22-20458	HANDLEBAR	87	28-97415	CYLINDER HEAD BRACKET	154	28-93021	BALL JOINT
21	22-28693-0-97	HEADLIGHT HOLDER W/DECALCS	88	28-97415	CYLINDER HEAD BRACKET	155	11-26611	BUSH
22	18-01513	HEADLIGHT ELECT. EQUIPMENT	89	28-95327-0-59	H.T. COIL SUPPORT	156	11-22220	NEEDLE BEARING
23	28-91500	SILENT BLOCK	90	28-97019	H.T. COIL SUPPORT	157	28-99130	PUMP PIN W/SPRING
24	12-03160-0-59	HEADLIGHT	91	29-01821	WATER TANK COVER	158	25-91180	REAR BRAKE PUMP
25	21-16750	LAMP	92	16-44561-0-59	FRONT FRAME COVER	159	16-50510	COPPER WASHER 10x15x1
26	31-29860	SCREW	93	16-44560-0-59	FRONT FRAME COVER	160	31-63910	SCREW 8x30
27	25-15190-0-97	FRONT FENDER W/DECALCS	94	28-91941	SILENT BLOCK	161	28-99302	LH FOOTREST BRACKET
28	28-98277	FENDER BRACKET	95	27-23632	RADIATOR	162	18-01514	STOP SWITCH ELECT. EQUIPMENT
29	15-14600	CLAMP	96	10-09222	HORN	163	13-46370	SPACER
30	28-97358	BRACKET	97	10-66860	OIL SEAL	164	18-87000	STOP SWITCH
31	25-03042	FRONT BRAKE CALIPER	98	10-67390	DUST COVER RING	165	10-84090	REAR BRAKE ROD
32	16-50510	COPPER GASKET	99	12-98300	CONICAL BEARING 20x42x15	166	31-63940	SCREW 8x25
33	29-09114	FRONT BRAKE HOSE	100	29-11482	FRONT FRAME	167	22-90052	FOOTREST HUB
34	11-65040	BRAKE HOSE BOLT	101	28-17750	CONICAL BEARING CAP	168	28-95261	STOP SWITCH BRACKET
35	27-24192	FRONT SPOKE	102	16-21910-0-59	GROMMET	169	22-03357	MUFFLER
36	27-24193	FRONT SPOKE	103	29-10512-8	COMPLETE TANK PLUG	170	10-67100	OIL SEAL
37	23-10100	NIPPLES	104	12-88514-0-97	TANK COVER	171	10-67100	OIL SEAL
38	15-08047	FRONT FORK	105	16-23325	IGNITION CENTRAL UNIT SUPPORT	172	16-23320	IGNITION RUBBER
39	28-97231	SPEEDOMETER BRACKET	106	12-41824	IGNITION CENTRAL UNIT	173	12-32182	BUMPER
40	12-09360	SPEEDOMETER	107	27-28092	REGULATOR	174	25-54450	BRAKE PEDAL PIN
41	29-25400-0-52	SPEEDOMETER CABLE	108	27-28490	RIGHT REAR FENDER GRILL	175	22-62090	SPRING
42	25-56811	FRONT WHEEL AXLE "ERGAL"	109	12-55781	RIGHT REAR FENDER BASE GRILL	176	25-28101	BRAKE PEDAL
43	27-32462	SPEEDOMETER DRIVE	110	12-55780	LEFT REAR FENDER BASE GRILL	177	22-62171	RET BRAKE PEDAL SPRING
44	13-85764	WHEEL HUB SPACER	111	27-28491	LEFT REAR FENDER GRILL	178	13-29510	S/ARM SPECIAL NUT
45	12-98010	BEARING	112	15-24651	GASOLINE FILTER	179	27-67500-0-60	WASHER
46	12-16410	TUBE 275x21	113	27-79951	PETCOCK	180	13-49200	SPACER
47	13-55240	SPACER	114	31-30530	SCREW 6x12	181	11-23000	S/ARM NEEDLE BEARING
48	12-88262-1-18	FRONT DISK BRAKE COVER	115	16-75910	GASKET	182	31-64070	SCREW 8x25
49	12-79400	TIRE 2.75x21	116	12-73213-0-97	AIR FILTER COVER	183	29-10082-0-52	SLIDING BLOCK
50	15-38200	BEAD 21	117	25-19687-0-97	REAR FENDER W/DECALCS	184	31-30540	SCREW
51	12-42531	RIM 21	118	25-91760	REAR LIGHT SUPPORT	185	15-49594-8	SWINGING ARM
52	22-07190-0-57	FRONT HUB	119	21-15520	LIGHT 12V-4W	186	25-55770	S/ARM SPINDLE
53	13-62250	BRAKE DISK SPACER	120	15-01821	REAR LIGHT	187	28-98575-0-66	STAND BRACKET
54	22-31980	SPRING	121	15-02504	SOUNDPROOFING FELT	188	13-46300	SPACER
55	27-57510	WASHER 6x18	122	12-54321-0-59	SILENCER TAIL	189	22-47024	STAND SPRING
56	11-49510	BOLT	123	12-88413	MUFFLER COVER	190	29-10593	STAND PLUG
57	12-98010	BEARING	124	28-12747-0-59	BOX AIR FILTER	191	12-39934-0-66	STAND
58	13-85764	WHEEL HUB SPACER	125	18-01423	REAR LIGHT ELECT. EQUIPMENT	192	16-29492	GROMMET
59	15-17500	TIRE HOLDER	126	28-98098-0-59	FILTER SUPPORT	193	31-73000	SCREW 4x8
60	27-48000	WASHER	127	15-26053	AIR FILTER	194	12-88052-0-52	REAR DISK BRAKE COVER
61	13-17000	NUT	128	28-97018	BOX AIR FILTER RH SUPPORT	195	29-11860	CHAIN TENSIONER
62	29-16249	EXHAUST PIPE	129	28-97017	BOX AIR FILTER LH SUPPORT	196	28-94553	REAR BRAKE SUPPORT
63	13-62703	WHEEL HUB INNER SPACER	130	15-15380	CLAMP	197	25-03046	REAR BRAKE
64	13-39277	FRONT BRAKE DISK	131	22-13641	RUBBER SLEEVE	198	13-29600	REAR WHEEL NUT
65	29-11332	RH FRONT FRAME	132	13-36050	SHOCK ABSORBER QUARTER VENT	199	11-49010	BOLT 6x20
66	16-45542-1-67	RADIATOR COVER	133	28-95311	OIL TANK FIXING BRACKET	200	27-57510	WASHER 6x18
67	28-91942	SILENT BLOCK	134	28-05101	BRAKE OIL TANK	201	22-31980	SPRING

SUPPLEMENTARY PARTS LIST

12-43030	SPARK KEY
13-33815	DECALS SET
13-33815-1	FRONT FENDER DECALS
13-33815-2	REAR FENDER DECALS
13-33815-3	FRONT LIGHT DECALS
13-33815-4	SWINGING ARM DECALS
27-02563-0-57	FRONT WHEEL
27-02563-4-57	FRONT WHEEL W/TIRE
27-04786-0-57	REAR WHEEL
27-04786-4-57	REAR WHEEL W/TIRE
28-92920	MIRROR
37-62963	ENGINE

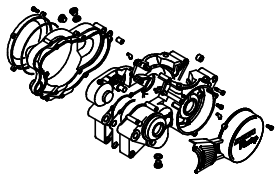
CATALOGO PARTI DI RICAMBIO
 CATALOGUE OF SPARE PARTS
 CATALOGUE PIECES DE RECHANGE
 ERSATZTEILKATALOG
 CATALOGO DE PIEZAS DE REPUESTO



CODICE MOTORE	37-66110-0-00 250cc
ENGINE COD.	37-66111-0-00 270cc
REF. MOTEUR	
MOTOR CODE	37-66110-1-00 250cc
NUMERO MOTOR	37-66111-1-00 270cc

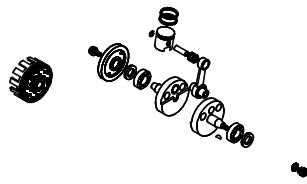
DAL N. MOTORE	
FROM ENGINE N.	400061
DE NUMERO MOTEUR	
AB MOTONUMMER	400546
DESDE NUMERO MOTOR	

Carter
Crankcase
Carter
Gehäuse
Carter



PAG. 3

Albero motore
Crankshaft
Vilebrequin
Kurbelwelle
Ciguenal



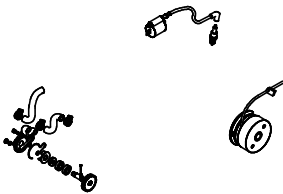
PAG. 4

Cilindro e carburatore
Cylinder and carburetor
Cylinder et carburateur
Zylinder und Vergaser
Cilindro y carburador



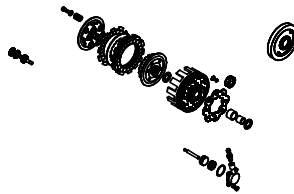
PAG. 5

Volano e pompa acqua
Flywheel and water pump
Volan et pompe à eau
Schwungrad und wasserpumpe
Volante y bomba agua



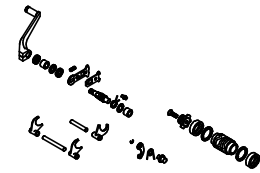
PAG. 6

Frizione
Clutch
Embrayage
Kupplung
Embrague



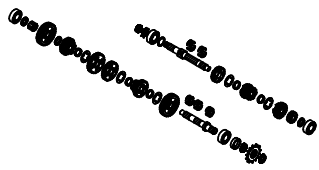
PAG. 7

Comando cambio
Gearbox lever
Lever boîte à vitesses
Getriebschaltung
Mando cambio



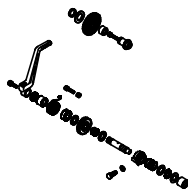
PAG. 8

Cambio
Gearbox
Boîte à vitesses
Schaltung
Cambio



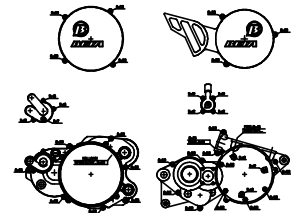
PAG. 9

Messa in moto
Kickstarter
Démarrage
Kickstarter
Arranque

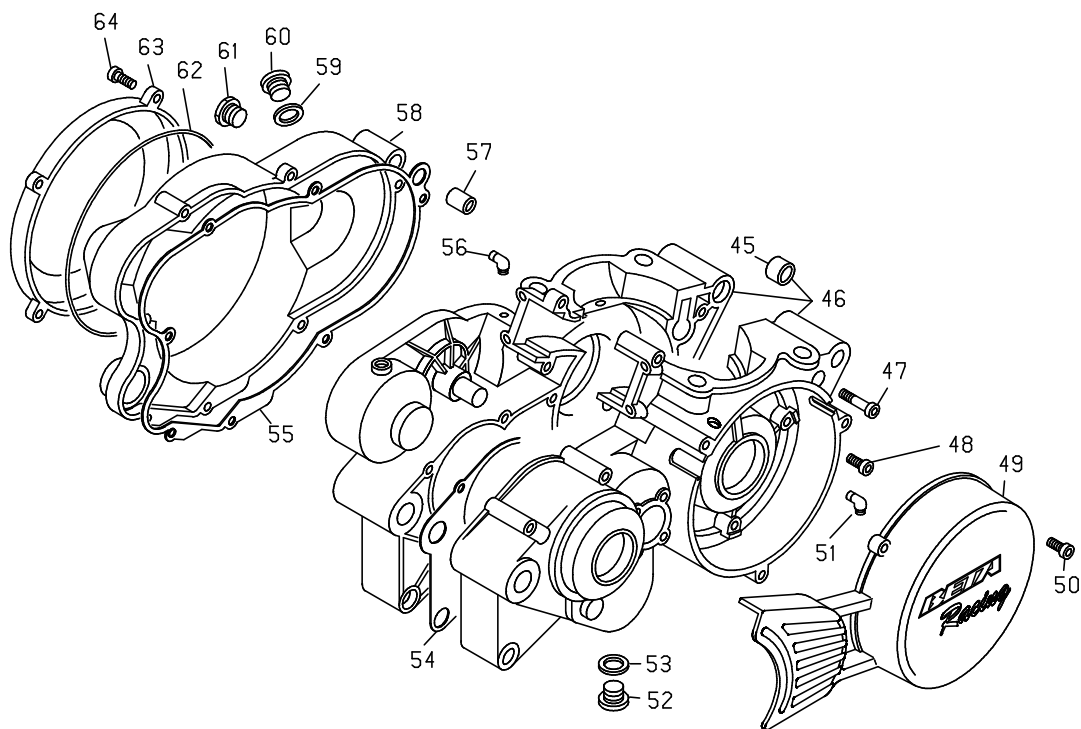


PAG. 10

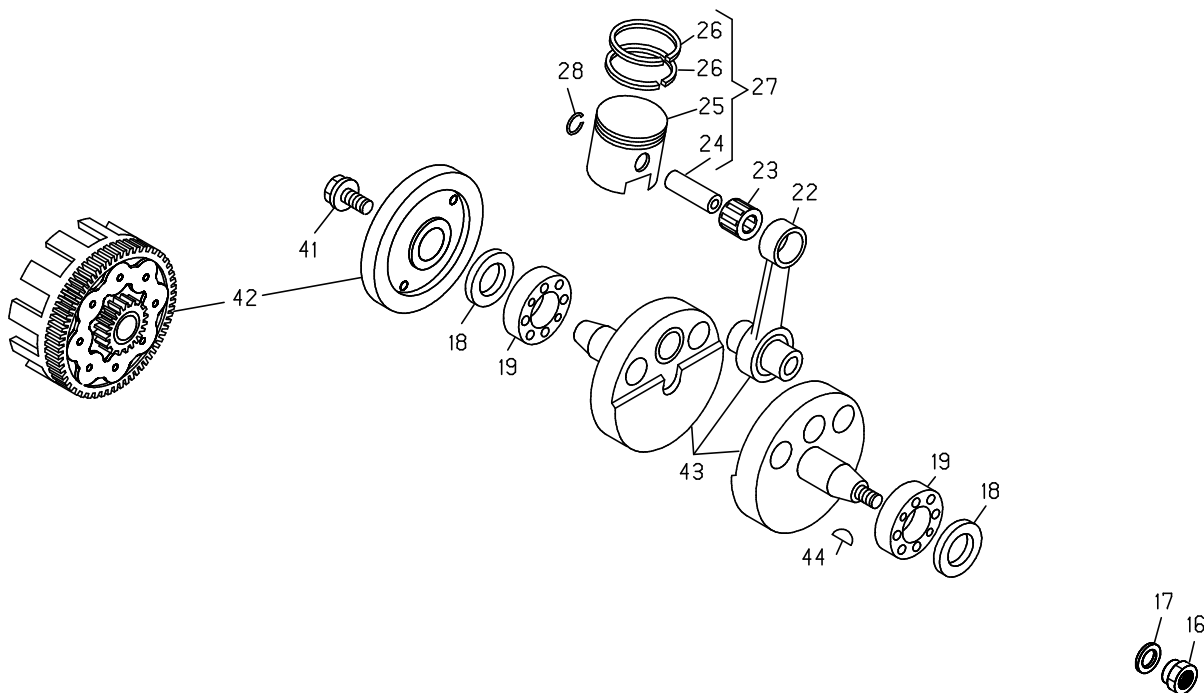
Viti e Particolari non figuranti
Screws and other ind. comp.
Vis et part. pas mentionnés
Schrauben und andere teile nicht v
Tornillos y particulares no figur.



PAG. 11



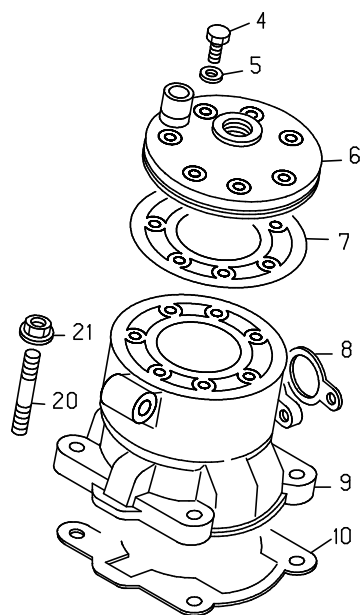
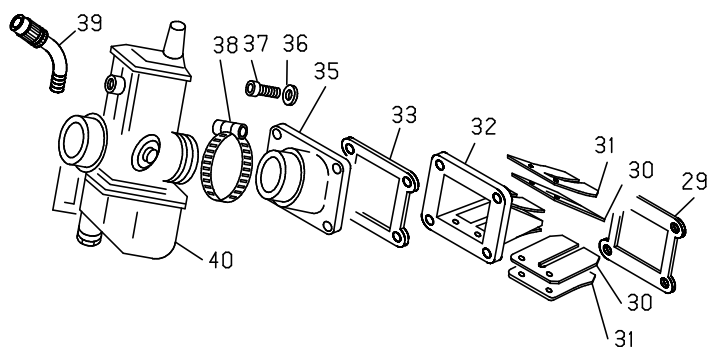
Pos	Number	Descrizione	Description	Description	Beschreibung	Descripción
45	16-41500	Grano riferimento 10,5x13	Dowel 10,5x13	Grain rif. 10,5x13	Dowell 10,5x13	Grano 10,5x13
46	12-06326-0-33	Carter	Crankcase	Carter	Gehäuse	Carter
47	31-59010	Vite brugola 6x50	Screw 6x50	Vis a tete a six pans 6x50	Schraube 6x50	Tornillo
48	31-30020	Vite brugola 5x25	Screw 5x25	Vis a tete a six pans 5x25	Schraube 5x25	Tornillo
49	12-69711-1-67	Coperchio volano	Magneto cover	Couvercle volant	Zündungsdeckel	Tapa volante
50	31-34510	Vite brugola 6x20	Screw 6x20	Vis a tete a six pans 6x20	Schraube 6x20	Tornillo
51	27-23470	Raccordo per sfiato	Breather pipe hose	Raccord pour event	Entlüftungsschlauch	Enlace aliento
52	29-00450	Tappo c/calamita scarico olio	Magnetic plug	Bouchon avec aimant	Ablassschraube	Tapon aceite
53	16-53600	Guarnizione 16x22,5x1	Gasket 16x22,5x1	Joint 16x22,5x1	Dichtung 16x22,5x1	Junta 16x22,5x1
54	16-55732	Guarnizione carter	Crankcase gasket	Joint carter	Gehäusedichtung	Junta carter
55	16-71681	Guarnizione cop.friz.interno	Inner clutch cover gasket	Joint couvercle embrayage int.	Dicht. Kupplungsdeckel gross	Junta tapa embrague int.
56	27-23470	Raccordo per sfiato	Breather pipe hose	Raccord pour event	Entlüftungsschlauch	Enlace aliento
57	16-37010	Grano riferimento 9x15	Dowel 9x15	Grain rif. 9x15	Dowell 9x15	Grano 9x15
58	12-62663-0-67	Coperchio frizione interno	Internal clutch cover	Couvercle embrayage int.	Gehäusedeckel innen	Tapa embrague interno
59	16-53600	Guarnizione 16x22,5x1	Gasket 16x22,5x1	Joint 16x22,5x1	Dichtung 16x22,5x1	Junta 16x22,5x1
60	29-10290	Tappo livello olio	Oil plug	Bouchon nivel huile	Einfüllstopfen	Tapon nivel aceite
61	29-10030	Tappo indicatore olio	Oil plug	Bouchon indicateur huile	Schauglas	Tapon aceite
62	10-67340	Anello OR cop.friz.est.	Oil seal	OR couvercle embr.ext.	Wedi	Junta tapa embrague ext.
63	12-63111-0-67	Coperchio frizione esterno	Clutch cover	Couvercle embrayage ext.	Kupplungsdeckel	Tapa embrague ext.
64	31-34510	Vite brugola 6x20	Screw 6x20	Vis a tete a six pans 6x20	Schraube 6x20	Tornillo



Pos	Number	Descrizione	Description	Description	Beschreibung	Descripción
15	31-03228	Volano digitale	Electric flywheel	Volant digital	Ventil	Volante magnetico
16	13-27115	Dado spec. 16x1,25 ch24	Special nut 16x1,25 ch24	Ecrou spec. 16x1,25 ch24	Spezial Mutter	Tuerca esp. 16x1,25 llave 24
17	27-57760	Rondella spec. Volano	Special washer	Rondelle speciale volant	Spezialscheibe	Arandela esp. Volante
18	10-64660	Anello paraolio 25x40x7 vyton	Oil seal 25x40x7 vyton	Joint spy 25x40x7 vyton	Wedi 25x40x7	Junta aceite 25x40x7
19	12-99561	Cuscinetto 30x62x16	Ball Bearing 30x62x16	Roulement 30x62x16	Kurbelwellenlager 30x62x16	Cojinete 30x62x16
22	11-03720-8	Biella completa	Connecting rod assy	Bielle complete	Pleuelsatz	Biela completa
23	16-16700	Gabbia 18x22x22	Needle bearing 18x22x22	Cade 18x22x22	Nadellager 18x22x22	Jaula 18x22x22
24	28-94120	Spinotto 12x52	Piston pin 18x52	Axe 18x52	Kolben Bolzen 18x52	Pasador 18x52
25	25-86570	Pistone ø72,5	Piston ø72,5	Piston ø72,5	Kolben Kpl. ø72,5	Piston 72,5
*	25-86671	Pistone ø76	Piston ø76	Piston ø76	Kolben Kpl. ø76	Piston 76
26	28-52200	Segmento ø72,5	Piston ring ø72,5	Segment ø72,5	Kolbenring ø72,5	Segmento 72,5
*	28-52170	Segmento ø76	Piston ring ø76	Segment ø76	Kolbenring ø76	Segmento 76
27	25-86570-8	Pistone ø72,5 completo	Compl piston ø72,5	Piston complet ø72,5	Kolben Kpl. ø72,5	Piston completo 72,5
*	25-86671-8	Pistone ø76 completo	Compl piston ø76	Piston complet ø76	Kolben Kpl. ø76	Piston completo 76
28	10-42600	Anello ferma spinotto 18	Circlip 18	Bague d'arret goujon 18	Clip 18	Junta
41	11-64100	Bullone spec. Ingran, motore	Special bolt	Boulon spec. Engr. Moteur	Spezial Bolzen	Tornillo special engranage mot.
42	29-07313-8	Trasmissione primaria c/camp.	Primary drive with cup	Transmission primaire a/cloche	Primärtrieb	Transmission primaria c/camp.
°	29-07314-8	Trasmissione primaria c/camp.	Primary drive with cup	Transmission primaire a/cloche	Primärtrieb	Transmission primaria c/camp.
43	10-00706	Albero motore	Crankshaft	Arbre moteur	Kurbelwelle	Ciguenal
44	12-46000	Chiavetta 3x3,7x9,7	Woodruff 3x3,7x9,7	Clavette 3x3,7x9,7	Keli 3x3,7x9,7	Llave 3x3,7x9,7

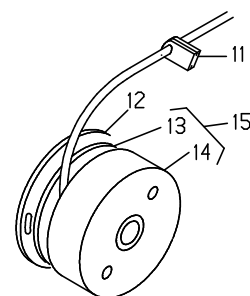
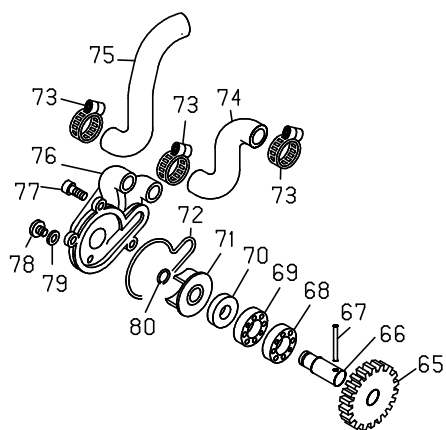
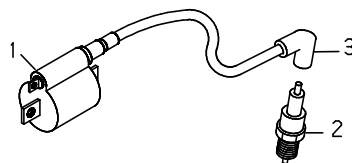
* Per motore / For engine / Pour le moteur / Betrifft den motor / Por el motor / 270cc

° Dal num. / From n. / A partir du n. / Von nummer / Desde no / 400546



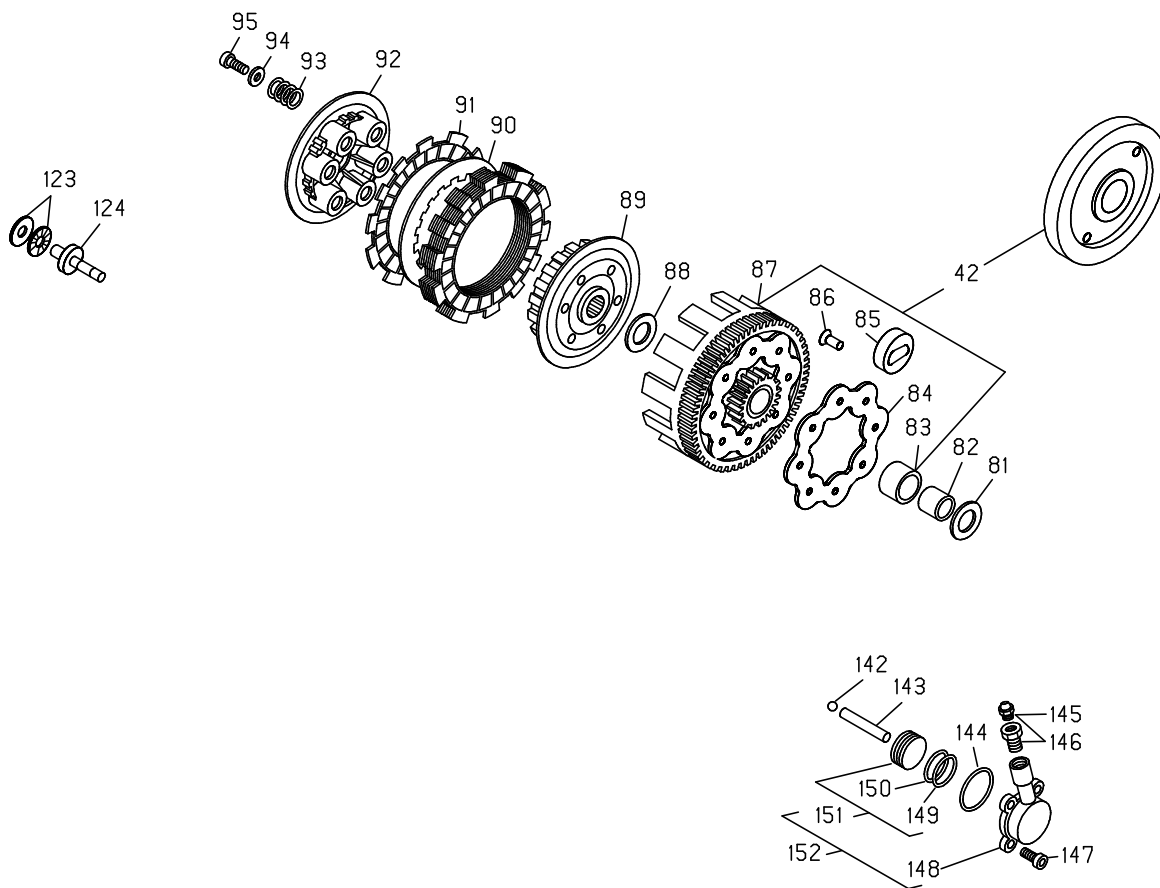
Pos	Number	Descrizione	Description	Description	Beschreibung	Descripción
4	11-52425	Bullone spec. 7x33	Special bolt 7x33	Buolon spec. 7x33	Schraube 7x33	Tornillo special 7x33
5	27-45100	Rondella in rame 7x12x0,5	Cup washer 7x12x0,5	Rondelle 7x12x0,5 cuivre	Scheibe 7x12x0,5	Arandela 7x12x0,5
6	29-12091-0-57	Testa	Cylinder head	Culasse	Zylinderkopf	Culata
*	29-12142-0-57	Testa 76	Cylinder head 76	Culasse 76	Zylinderkopf 76	Culata 76
7	16-67204	Guarnizione cilindro-testa	Cylinder-head gasket	Joint cylindre culasse	Kopfdichtung	Junta cilindro culata
8	16-80700	Guarnizione scarico	Gasket	Joint echappement	Auspuffdichtung	Goma escarico
9	12-51842-0-57	Cilindro ø72,5	Cylinder ø72,5	Cylindre ø72,5	Zylinder ø72,5	Cilindro 72,5
*	12-51862-0-57	Cilindro ø76	Cylinder ø76	Cylindre ø76	Zylinder ø76	Cilindro 76
10	16-61761	Guarnizione cilindro-carter	Cylinder crankcase gasket	Joint cylindre carter	Fußdichtung REV-3	Junta cilindro carter
*	16-67205	Guarnizione cilindro-testa	Cylinder-head gasket	Joint cylindre culasse	Kopfdichtung	Junta cilindro culata
20	25-98080	Prigioniero 8x46	Stud bolt 8x46	Goujon 8x46	Stehbolzen	Prigioniero 8x46
21	13-17121	Dado spec. M8 flangiato ch10	Nut M8 special ch10	Ecrou M8 bride ch10	Mutter M8 SW 10	Tuerca M8 esp. Llave 10
29	16-92550	Guarnizione valvola	Valve gasket	Joint valve	Dichtung Membranblock	Junta valvula
30	21-15360	Lamella valvola	Valve petal	Doigt valve	Membranzunge	Lama valvula
31	25-59670	Piastrina per valvola	Petal fixing plate	Plaquette valve	Halteplatte Membranzunge	Placa valvula
32	31-02140	Valvola completa	Reed valve complete	Valve complete	Einlass Membran Kpl.	Valvula completa
33	25-57695	Piastrina rac. Aspir. Motore	Engine manifold plate	Plaquette moteur	Halteplatte	Placa enlace aspiracion motor
35	27-23492	Raccordo carburatore	Inlet manifold	Raccord carburateur	Ansaugstutzen	Enlace carburador
36	27-40500	Rondella 6x13	Washer 6x13	Rondelle 6x13	Scheibe 6x13	Arandela 6x13
37	31-38010	Vite brugola 6x25	Screw 6x25	Vis a tete a six pans 6x25	Schraube 6x25	Tornillo
38	15-15380	Fascetta 33x53	Clamp 33x53	Collier 33x53	Schlauchbinder	Brida 33/53
39	27-32100	Rinvio carburatore	Throttle cable guide	Renvoi carburateur	Gasführung	Reenvio carburador
40	12-04893	Carburatore MIKUNI	carburetor MIKUNI	Carburateur MIKUNI	Mikuni Vergaser	Carburador MIKUNI

* Per motore / For engine / Pour le moteur / Betrifft den motor / Por el motor / 270cc



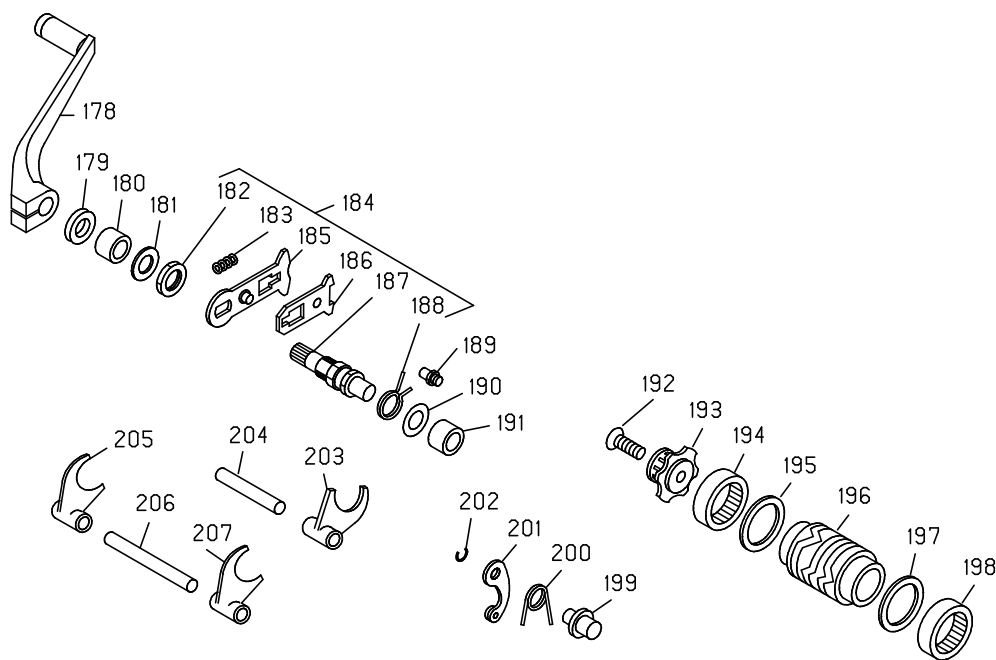
Pos	Number	Descrizione	Description	Description	Beschreibung	Descripción
1	11-20681	Bobina ATE	HT coil	Bobine ATE	Zündspule	Bobina ATE
2	12-25210	Candela N7YCC	Spark plug N7YCC	Bougie N7YCC	Zündkerze N7YCC	Bujia N7YCC
3	27-13550	Raccordo candela schermato	Spark plug protector	Raccord blinde bougie	Zündkerzenstecker	Enlace bujia
11	16-33571	Gommino passafili volano	Grommet	Caout. Passe-fils volant	Puffer	Goma pasacables volante
12	25-60168	Piastra statore per volano "aet"	Plate statore	Plaque stator volant "AET"	Halteplatte	Placa sator volant AET
13	28-97811	Statore per volano	Stator assy,elect.flywheel	Stator volant	Grundplatte Zündung	Stator del volante
14	27-00363	Rotore per volano (31-03228)	Rotor assy	Rotor volant (31-03228)	Schwungrad	Rotor volante (31-03228)
15	31-03228	Volano digitale	Electric flywheel	Volant digital	Ventil	Volante magnetico
65	18-82640	Ingranaggio pompa acqua	Water pump gear	Engrange pompe eau	Wasserpumpeantrieb	Engrange bomba agua
	18-82641	Ingranaggio pompa acqua	Water pump gear	Engrange pompe eau	Wasserpumpeantrieb	Engrange bomba agua
66	10-27740	Albero pompa acqua	Counter shaft	Arbre pompe eau	Wasserpumpenwelle	Ciguenal bomba agua
67	27-84100	Rullino 6x12 per forchette	Straight roller 6x12	Molette 6x12	Kegelrolle	Rodillo 6x12
68	12-93420	Cuscinetto 10x22x6	Ball bearing 10x22x6	Roulement 10x22x6	Kugellager 10x22x6	Cojinate 10x22x6
69	12-93410	Cuscinetto 10x22x6 2RS1	Ball bearing 10x22x6 2RS1	Roulement 10x22x6 2RS1	Kugellager 10x22x6 2RS1	Cojinete 10x22x6 2RS1
70	10-44610	Anello paraolio 10x18x4	Oil seal 10x18x4	Joint spy 10x18x4	Wedi 10x18x4	Junta aceite 10x18x4
71	31-21840	Ventola pompa acqua	Pump fan	Ventilateur pompe eau	Wapurad	Ventola bobam agua
72	10-67360	Anello OR cop.pompa acqua	Oil seal	OR couvercle pompe eau	O-Ring Wasserpumpenwelle	Junta tapa bomba agua
73	15-15230	Fascetta 15x25	Clamp 15x25	Collier 15x25	Schelle 15x25	Brida 14/24
74	29-15863	Tubo pompa acqua - cilindro	Cylinder water pump hose	Tube pompe cylindre	Kühlerschlauch	Tubo bomba agua-cilindro
75	29-15864	Tubo radiatore - pompa acqua	Water pump radiator tube	Tube radiateur pompe eau	Kühlerschlauch	Tubo refriger. radiador/bomba
76	12-67931-0-67	Coperchio pompa acqua	Pump cover	Couvercle pompe eau	Wasserpumpendeckel	Tapa bomba agua
77	31-30000	Vite brugola 5x16	Screw 5x16	Vis a tete a six pans 5x16	Schraube 5x16	Tornillo
78	31-30490-0-51	Vite TTLIC 6x8 testa 12	Screw 6x8	Vis 6x8	Schraube 6x8	Tornillo
79	16-47500	Guarnizione 6x12x1,5	Gasket 6x12x1,5	Joint 6x12x1,5	Dichtung 6x12x1,5	Junta 6x12x1,5
80	28-22660	Seeger 9E	Seeger 9E	Seeger 9E	Seegerring 9E	Seeger 9E

° Dal num. / From n. / A partir du n. / Von nummer / Desde no / 400546

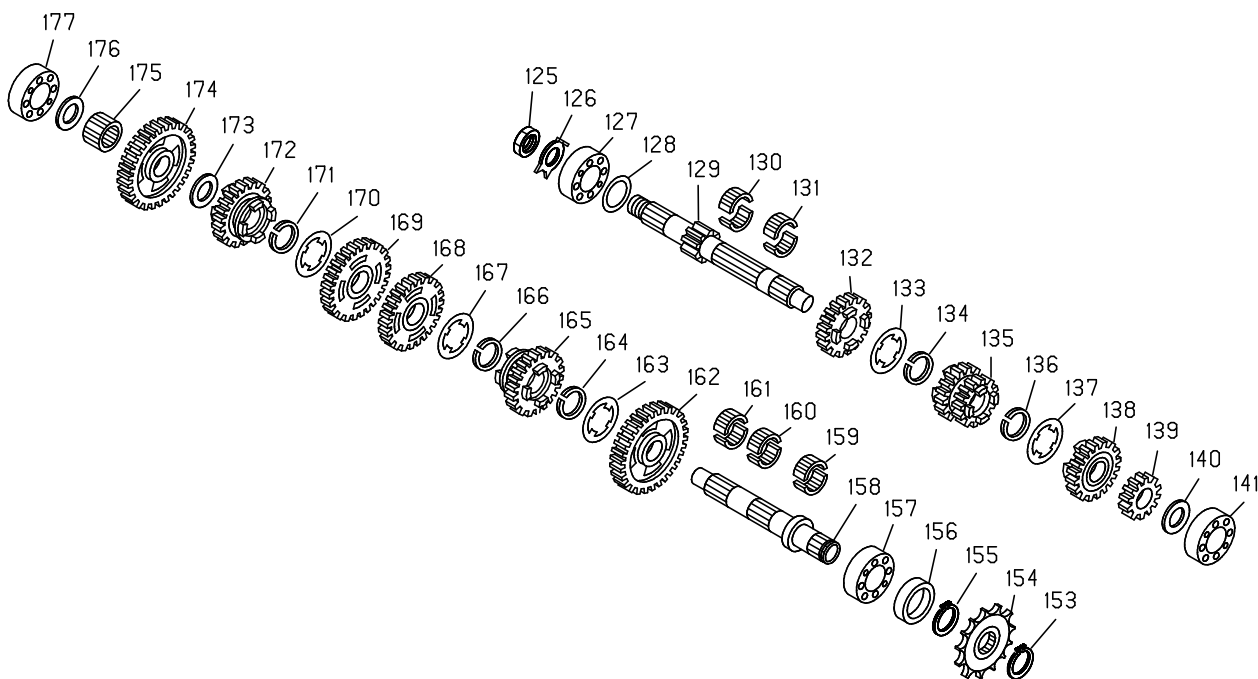


Pos	Number	Descrizione	Description	Description	Beschreibung	Descripción
42	29-07313-8 ° 29-07314-8	Trasmissione primaria c/camp. Trasmissione primaria c/camp.	Primary drive with cup Primary drive with cup	Transmission primaire a/cloche Transmission primaire a/cloche	Primärtrieb Primärtrieb	Transmission primaria c/camp. Transmission primaria c/camp.
81	27-73480	Rondella AS 20x35x1	Washer AS 20x35x1	Rondelle AS 20x35x1	Scheibe AS 20x35x1	Arandela AS 20x35x1
82	11-27130	Anello IR 20x25x20,5	Bush 20x25x20,5	Bague interne 20x25x20,5	Buchse 20x25x20,5	Junta 20x25x20,5
83	11-27140	Boccola PAP 2520 P10	Bush PAP 2520 P10	Douille PAP 2520 P10	Buchse PAP 2520 P10	Casquillo PAP 2520 P10
84	13-42962	Disco ritegno silent-block	Blocking disk silent-block	Disque d'arret silent-block	Haltescheibe Silent-Block	Disco silent-block
85	28-91840	Silent-block frizione	Silent-block	Silent-block embrayage	Silent -Block	Silent-block embrague
86	27-31642	Ribattino 5x15 TSP frizione	Rivet 5x15 TSP	Rivet 5x15 TSP embrayage	Niete	Rebatino 5x15 TSP embrague
87	12-20782	Campana frizione	Clutch housing	Cloche embrayage	Kupplungskorb	Camapna embrague
88	27-65890	Rondella spec. Tamburino	Special washer	Rondelle speciale	Spezialscheibe	Arandela esp.
89	29-09621	Tamburino frizione	Clutch center	Barillet d'embrayage	Kupplungsmietnehmer	Tambor embrague
90	13-38360	Disco acciaio	Stell plate	Disque acier	Kupplungslamelle Stahl	Disco
91	13-43310	Disco sugherite	Clutch plate	Disque en liege	Lamelle	Disco
92	12-29601	Cappello frizione	Pressure plate	Capuchon embrayage	Druckplatte	Tapa embrague
93	22-65071	Molla frizione	Clutch spring	Ressort embrayage	Kuppl. Feder	Muelle
94	27-42000	Rondella 6x18	Washer 6x18	Rondelle 6x18	Scheibe 6x18	Arandela 6x18
95	11-48010	Bullone 6x16 ch10 rs	Bolt 6x16	Boulon 6x16 ch10 rs	Bolzen 6x16	Tornillo 6x10 llave 10 rs
123	16-11370	Gabbia reggispinta 15x28x2	Needle bearing 15x28x2	Cage butee 15x28x2	Nadellager 15x28x2	Jaula 15x28x2
124	25-60410	Piattello spingidisco	Special rod	Tournette pousse disque	Spezial Stange	Placa disco
142	28-90210	Sfera ø+ per frizione	Ball ø6	Sphere ø6	Kugel ø6	Bola 6
143	10-88258	Asta comando frizione	Clutch rod	Tige d'embray	Stange Kupplungsbetätigung	Varilla mando embrague
144	10-66700	Anello OR 29,32x1,5	Oil seal 29,32x1,5	OR 29,32x1,5	Wedi 29,32x1,5	Junta torica 29,32x1,5
145	28-91050	Sfiato aria pinza posteriore	Rear pliers bleed	Event air pince arriere	hi Zange Entlüftung	Aliento aire
146	11-65030	Bullone sfiato compl.pomp/friz.	Breather pipe	Boulon event compl. pompe	Hohlschraube mit Entlüftungsnip.	Tornillo bomba/embrague
147	31-29910	Vite brugola 5x12	Screw 5x12	Vis a tete a six pans 5x12	Schraube 5x12	Tornillo
148	12-91890-9-57	Corpo pompa nudo ø28	Clutch pump cover ø28	Corps pompe nud ø28	Kupplungsnehmerzylinder 28	Protector bobma nudo 28
149	10-66520	Anello OR 23,52x1,78	Oil seal 23,52x1,78	OR 23,52x1,78	Wedi 23,52x1,78	Junta 23,52x1,78
150	10-66510	Anello OR 21,89x2,62	Oil seal 21,89x2,62	OR 21,89x2,62	Wedi 21,89x2,62	Junta 21,89x2,62
151	25-86930	Pistone completo ø28 com.friz.	Clutch pump piston	Piston comp. ø28 comm.embr.	Kuppl. Pumpe Kolben	Piston compl.28 mando embr.
152	12-91890-0-57	Corpo pompa con pistone ø28	Clutch pump assy ø28	Corps pompe avec pist. Ø28	Pumpe mit Kolben	Protector bomba con piston

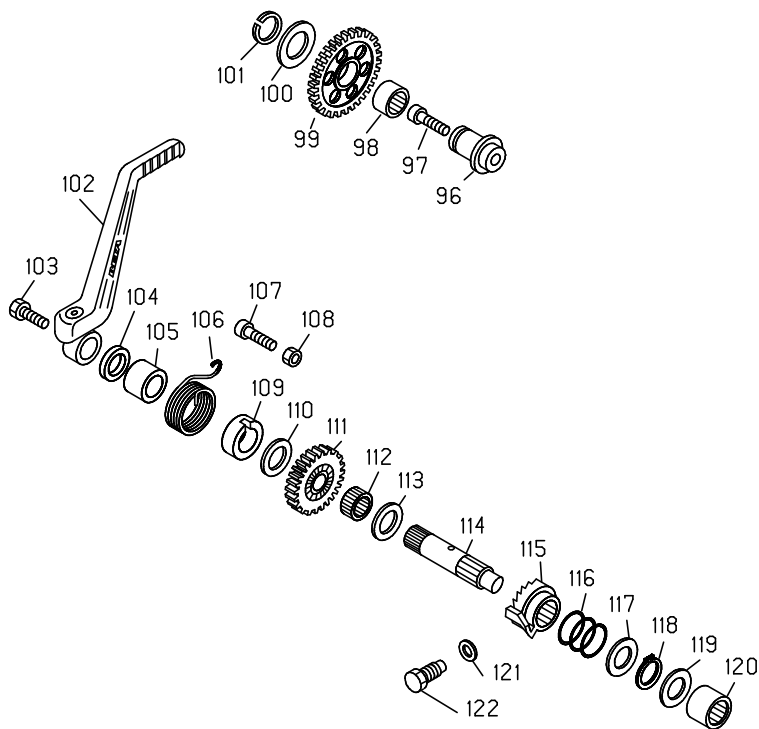
° Dal num. / From n. / A partir du n. / Von nummer / Desde no / 400546



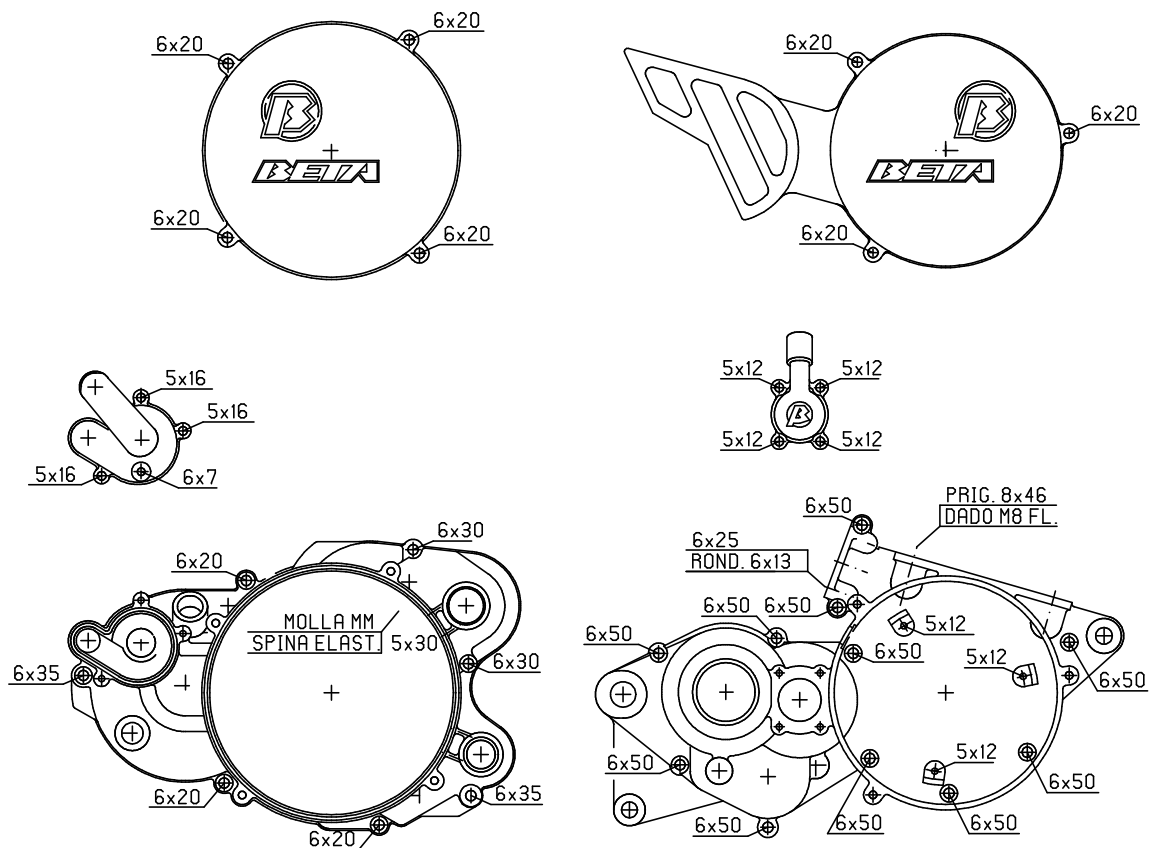
Pos	Number	Descrizione	Description	Description	Beschreibung	Descripción
178	21-21150	Leva comando cambio	Shift lever	Levier boîte a vitesse	Schalthebel	Palanca mando cambio
179	10-48000	Anello paraolio 12x22x5	Oil seal 12x22x5	Joint spy 12x22x5	Wedi 12x22x5	Junta aceite 12x22x5
180	11-22200	Boccola a rulli 12x18x12	Needle bearing 12x18x12	Douille a roulements 12x18x12	Nadellager 12x18x12	Cojinete 12x18x12
181	27-60000	Rondella spess. 12x22	Washer 12x22	Rondelle epaisseur 12x22	Scheibe 12x22	Arandela 12x22
182	13-29520	Dado spec. 16x1,25x6 ch22	Special nut 16x1,25x6 ch22	Ecrou spec. 16x1,25x6 ch22	Schwinge spezial Mutter	Tuerca esp. 16x1,25x6 llave 22
183	22-68010	Molla ventaglio	Spring shift	Ressort eventail	Schaltfeder	Muelle
184	10-13182-8	Albero com. cambio compl.	Complete selector shaft	Abre bolite à vitesses compl.	Schaltwelle kpl.	Ciguenal mando cambio comp.
185	31-20970-8	Ventaglio fisso con perno	Shift control fork assy	Eventail avec pivot	Schaltautomat	Abanico
186	31-20980-8	Ventaglio scorrevole con perno	Sliding hift control fork assy	Eventail coulissanr avec pivot	Schaltautomat	Abanico con eje
187	10-13182	Albero com. cambio	Selector shaft	Abre bolite à vitesses	Kpl. Schaltwelle	Ciguenal mando cambio
188	22-72020	Molla ritorno albero cc	Selector spring	Ressort retour arbre boîte a vit.	Feder Schaltung	Muelle
189	25-45231	Perno richiamo molla selettore	Pin for returning spring	Pivot rappel resoort selecteur	Pin Rückstellfed. Schaltaut.	Eje muelle selector
190	27-60000	Rondella spess. 12x22	Washer 12x22	Rondelle epaisseur 12x22	Scheibe 12x22	Arandela 12x22
191	11-22200	Boccola a rulli 12x18x12	Needle bearing 12x18x12	Douille a roulements 12x18x12	Nadellager 12x18x12	Cojinete 12x18x12
192	31-30510	Vite 6x30 TSPCE	Screw 6x30 TSPCE	Vis 6x30 TEPCH	Schraube 6x30 TSPCE	Tornillo
193	12-19100	Camma arresto marce	Top Cam	Came d'arret marche	Schaltwalze	Camma cambio
194	11-23400	Boccola a rulli 30x37x12	Needle bearing 30x37x12	Douille a roulements 30x37x12	Nadellager 30x37x12	Cojinete 30x37x12
195	27-74250	Rondella spess. 30x40x0,5	Washer 30x40x0,5	Rondelle epaisseur 30x40x0,5	Scheibe 30x40x0,5	Arandela 30x40x0,5
196	12-19691	Camma	Cam	Came	Nocke	Camma
197	27-74250	Rondella spess. 30x40x0,5	Washer 30x40x0,5	Rondelle epaisseur 30x40x0,5	Scheibe 30x40x0,5	Arandela 30x40x0,5
198	11-23400	Boccola a rulli 30x37x12	Needle bearing 30x37x12	Douille a roulements 30x37x12	Nadellager 30x37x12	Cojinete 30x37x12
199	25-54430	Perno fiss. leva arresto marce	Pin locating lever	Pivot fixation lever arret marches	Pin	Eje fijacion palanca
200	22-39590	Molla arresto marce	Locating spring	Ressort arret marche	Haltefeder	Muelle
201	21-17010	Leva arresto marce nuda	Locating lever	Levier arret vitesses	Arretierhebel	Palanca nuda
202	28-22700	Seeger 10E	Seeger 10E	Seeger 10E	Seegerring 10E	Seeger 10E
203	15-64590	Forchetta 28,5	Selector fork 28,5	Fourche 28,5	Schaltgabel 28,5	Horquilla 28,5
204	25-51100	Perno guida forchetta 10x60	Selector pin 10x60	Pivot guide fourche 10x60	Schaltgabel Pin 10x60	Eje horquilla 10x60
205	15-64570	Forchetta 34,5	Selector fork 34,5	Fourche 34,5	Schaltgabel 34,5	Horquilla 34,5
206	25-51110	Perno guida forchetta 10x103,5	Selector pin 10x103,5	Pivot guide fourche 10x103,5	Schaltgabel Pin 10x103,5	Eje horquilla 10x103,5
207	15-64550	Forchetta 32,5	Selector fork 32,5	Fourche 32,5	Schaltgabel 32,5	Horquilla 32,5



Pos	Number	Descrizione	Description	Description	Beschreibung	Descripción
125	13-28950	Dado spec. 14x1,25x6 ch22	Special nut 16x1,25x7 ch22	Ecrou spec. 14x1,25x6 ch22	Schwinge spezial Mutter	Tuerca esp. 16x1,25x7 llave 22
126	27-74760	Rondella 14 fermadado	Special washer 14	Rondelle 14 seere-ecrou	Sicherungsblech Kupplungsk.	Arandela 14
127	12-99022	Cuscinetto 20x52x15 NTN	Ball bearing 20x52x12 NTN	Roulement 20x52x15 NTN	Lager 20x52x12 NTN	Cojinete 20x52x15 NTN
128	27-73630	Rondella spess. 20x30x0,5	Washer 20x30x0,5	Rondelle epaisseur 20x30x0,5	Scheibe 20x30x0,5	Arandela 20x30x0,5
129	10-23372-8	Albero primario	Main shaft	Arbre primaire	Antriebswelle	Ciguenal
130	16-14870	Gabbia 16x21x10 2pezzi	Needle bearing 16x21x10 2pcs	Cade 16x21x10 2 pieces	Nadellager 16x21x10 2pcs	Jaula 16x21x10 2 piezas
131	16-14870	Gabbia 16x21x10 2pezzi	Needle bearing 16x21x10 2pcs	Cade 16x21x10 2 pieces	Nadellager 16x21x10 2pcs	Jaula 16x21x10 2 piezas
132	18-38491-8	Ingranaggio 5VP	5TH gear mainshaft	Engrange 5 sur 1	5 Gang-Primärwelle	Engrange 5 sobre 1
133	27-73860	Rondella speciale cambio	Special washer	Rondelle spec. boite a vitesse	Beilagscheibe	Arandela esp. Cambio
134	28-25450	Seeger 19SW	Seeger 19SW	Seeger 19SW	Seegerring 19SW	Seeger 19SW
135	18-37730-8	Ingranaggio 3/4VP	3/4 gear mainshaft	Engrange 3/4 sur 1	3/4 Gang-Primärwelle	Engrange 3/4 sobre 1
136	28-25450	Seeger 19SW	Seeger 19SW	Seeger 19SW	Seegerring 19SW	Seeger 19SW
137	27-73860	Rondella speciale cambio	Special washer	Rondelle spec. boite a vitesse	Beilagscheibe	Arandela esp. Cambio
138	18-38771-8	Ingranaggio 6VP	6TH gear mainshaft	Engrange 6 sur 1	6 Gang-Primärwelle	Engrange 6 sobre 1
139	18-32210-8	Ingranaggio 2VP	2ND gear mainshaft	Engrange 2 sur 1	2 Gang-Primärwelle	Engrange 2
140	27-64500	Rondella spess. 15x25	Washer 15x25	Rondelle epaisseur 15x25	Scheibe 15x25	Arandela 15x25
141	12-94000	Cuscinetto 15X35X11	Ball bearing 15X35X11	Roulement 15X35X11	Kugellager 15x35x11	Cojinete 15x35x11
153	28-25400	Seeger 20E	Seeger 20E	Seeger 20E	Seegerring 20E	Seeger 20E
154	25-60840	Pignone catena z.11	Sprocket z.11	Pignon chaine z.11	Ritzel 11z.	Pignone catena z.11
155	28-25400	Seeger 20E	Seeger 20E	Seeger 20E	Seegerring 20E	Seeger 20E
156	10-64050	Anello paraolio 20x37x7	Oil seal 20x37x7	Joint spy 20x37x7	Wedi 20x37x7	Junta aceite 20x37x7
157	12-99022	Cuscinetto 20x52x15 NTN	Ball bearing 20x52x12 NTN	Roulement 20x52x15 NTN	Lager 20x52x12 NTN	Cojinete 20x52x15 NTN
158	10-29371-8	Albero secondario	Layshaft	Arbre secondaire	Antriebswelle	Ciguenal primario
159	16-16570	Gabbia 18x22x10 2pezzi	Needle bearing 18x22x10 2pcs	Cade 18x22x10 2 pieces	Nadellager 18x22x10 2pcs	Jaula 18x22x10 2 piezas
160	16-16570	Gabbia 18x22x10 2pezzi	Needle bearing 18x22x10 2pcs	Cade 18x22x10 2 pieces	Nadellager 18x22x10 2pcs	Jaula 18x22x10 2 piezas
161	16-16570	Gabbia 18x22x10 2pezzi	Needle bearing 18x22x10 2pcs	Cade 18x22x10 2 pieces	Nadellager 18x22x10 2pcs	Jaula 18x22x10 2 piezas
162	18-53121-8	Ingranaggio 2VS	2nd gear layshaft	Engrange 2 sur 2	2 Gang-Zahnrad	Engrange 2 sobre 2
163	27-73870	Rondella speciale cambio	Special washer	Rondelle spec. boite a vitesse	Spezialscheibe	Arandela esp. cambio
164	28-25460	Seeger 20SW	Seeger 20SW	Seeger 20SW	Seegerring 20SW	Seeger 20SW
165	18-67110-8	Ingranaggio 6VS	6TH gear layshaft	Engrange 6 sur 2	6 Gang-Zahnrad	Engrange 6 sobre 2
166	28-25460	Seeger 20SW	Seeger 20SW	Seeger 20SW	Seegerring 20SW	Seeger 20SW
167	27-73870	Rondella speciale cambio	Special washer	Rondelle spec. boite a vitesse	Spezialscheibe	Arandela esp. cambio
168	18-58941-8	Ingranaggio 3VS	3RD gear layshaft	Engrange 3 sur 2	3 Gang-Zahnrad	Engrange 3 sobre 2
169	18-64831-8	Ingranaggio 4VS	4 RD gear layshaft	Engrange 4 sur 2	4 Gang-Zahnrad	Engrange 4 sobre 2
170	27-73870	Rondella speciale cambio	Special washer	Rondelle spec. boite a vitesse	Spezialscheibe	Arandela esp. cambio
171	28-25460	Seeger 20SW	Seeger 20SW	Seeger 20SW	Seegerring 20SW	Seeger 20SW
172	18-66410-8	Ingranaggio 5VS	5TH gear layshaft	Engrange 5 sur 2	5 Gang-Zahnrad	Engrange 5 sobre 2
173	27-73560	Rondella spess. 18x27x0,8	Washer 18x27x0,8	Rondelle epaisseur 18x27x0,8	Scheibe 18x27x0,8	Arandela 18x27x0,8
174	18-43071-8	Ingranaggio 1VS	1STH gear layshaft	Engrange 1 sur 2	1 Gang-Zahnrad	Engrange 1 sobre 2
175	16-16560	Gabbia 18x22x10	Needle bearing 18x22x10	Cade 18x22x10	Nadellager 18x22x10	Jaula 18x22x10
176	27-64500	Rondella spess. 15x25	Washer 15x25	Rondelle epaisseur 15x25	Scheibe 15x25	Arandela 15x25
177	12-94000	Cuscinetto 15X35X11	Ball bearing 15X35X11	Roulement 15X35X11	Kugellager 15x35x11	Cojinete 15x35x11



Pos	Number	Descrizione	Description	Description	Beschreibung	Descripción
95	11-48010	Bullone 6x16 ch10 rs	Bolt 6x16	Boulon 6x16 ch10 rs	Bolzen 6x16	Tornillo 6x10 llave 10 rs
96	25-53190	Perno per ingr. rinvio mm	Driving gear pin	Pivot engrenage renvoi demarr.	Lagerbolz.freies Kickstarterrad	Eje engranage arranque
97	31-63890	Vite brugola 8x20	Screw 8x20	Vis a tete a six pans 8x20	Schraube 8x20	Tornillo allen tcce 8.20
98	16-16560	Gabbia 18x22x10	Needle bearing 18x22x10	Cade 18x22x10	Nadellager 18x22x10	Jaula 18x22x10
99	18-67823	Ingranaggio rinvio mm	Starter gear	Engrange de renvoi	Zahnrad	Engranage renvio
100	27-72560	Rondella spess. 18x27	Washer 18x27	Rondelle epaisseur 18x27	Scheibe 18x27	Arandela 18x27
101	28-25300	Seeger 18E	Seeger 18E	Seeger 18E	Seegerring 18E	Seeger 18E
102	21-55161	Leva messa in moto	Kickstarter lever	Levier demarrage	Kickstarter	Palanca arranque
103	11-54521	Bullone 8x16 rs c/rond. ch10	Bolt 8x16 ch10	Boulon 8x16 rs a/rondelle ch10	Schraube 8x16 ch 10	Tornillo 8.16 rs c/arandela
104	10-56015	Anello paraolio 16x22x4	Oil seal 16x22x4	Joiny spy 16x22x4	Wedi 16x22x4	Junta aceite 16x22x4
105	11-31066	Boccola sinterizz. 16x22x12,5	Sintered bush 16x22x12,5	Douille frittee 16x22x12,5	Hülse 16x22x12,5	Casquillo 16x22x12,5
106	22-78972	Molla ritorno leva mm	Kickstarter spring	Ressort de retour	Feder Kickstarter	Muelle
107	31-34510	Vite brugola 6x20	Screw 6x20	Vis a tete a six pans 6x20	Schraube 6x20	Tornillo
108	13-11500	Dado 6x3,5 ch10	Nut 6x3,5	Ecrou 6x3,5 ch10	Mutter 6x3,5	Tuerca 6x3,5 llave 10
109	13-55230	Distanziale messa in moto	Kickstarter spacer	Entretoise demarrage	Distanz Kickstarter	Distanciadador arranque
110	27-67500	Rondella spess. 16x25	Washer 16x25	Rondelle epaisseur 16x25	Scheibe 16x25	Arandela spec. 16.25
111	18-14632-8	Ingranaggio mm	Starter gear	Engrange demarrage	Zahnrad Kickstarter	Engranage arranque
112	16-14300	Gabbia 16x20x10	Needle bearing 16x20x10	Cade 16x20x10	Nadellager 16x20x10	Jaula 16x20x10
113	27-67500	Rondella spess. 16x25	Washer 16x25	Rondelle epaisseur 16x25	Scheibe 16x25	Arandela spec. 16.25
114	10-15133-8	Albero messa in moto	Starter shaft	Abre demarrage	Kickstarter	Ciguenal arranque
115	22-14111-8	Manicotto mm	Kickstarter sleeve	Douille demarrage	Kickstarter Muffe	Manguito arranque
116	22-36561	Molla per manicotto	Spring	Ressort	Feder	Muelle manguito
117	27-73630	Rondella spess. 20x30x0,5	Washer 20x30x0,5	Rondelle epaisseur 20x30x0,5	Scheibe 20x30x0,5	Arandela 20x30x0,5
118	28-25400	Seeger 20E	Seeger 20E	Seeger 20E	Seegerring 20E	Seeger 20E
119	27-64500	Rondella spess. 15x25	Washer 15x25	Rondelle epaisseur 15x25	Scheibe 15x25	Arandela 15x25
120	11-22400	Boccola a rulli 15x21x12	Needle bearing 15x21x12	Douille a roulements 15x21x12	Nadellager 15x21x12	Cojinete 15x21x12
121	16-52000	Guarnizione 12x16x1,5	Gasket 12x16x1,5	Joint 12x16x1,5	Dichtung 12x16x1,5	Junta 12x16x1,5
122	11-65501	Bullone speciale per manicotto	Special bolt	Boulon spec. Pour douille	Spezialschraube	Tornillo especial



VITI FISSAGGIO CARTER E PARTICOLARI NON FIGURANTI
 CRANKCASE FIXING SCREW AND NOT MENTIONED COMPONENTS
 VIS DE FIXATION CARTER ET PARTICULIERS PAS MENTIONNES
 FESTIGUNGSSCHRAUBENGEHÄUSE UND ANDERE TEILE NICHT VERZEICHNET
 TORNILLOS PARA FISAR EL CARTER Y PARTICULARES NO FIGURADOS

Pos	Number	Descrizione	Description	Description	Beschreibung	Descripción
	12-00734-8	Cambio completo	Complete gearbox	Boite a vitesses complet	Getriebe kpl.	Cambio completo
	22-05053-8	Messa in moto compl.vendita	Complete kickstarter	Demarrage complet vente	Kickstarter kpl.	Arranque completo
	28-06871-8	Serie anelli paraolio	Kit oil seal	Jeu bagues spy	Satz Wellendichtringe	Jeugo juntas aceite
	28-08083-8	Serie guarnizioni	Kit gasket	Jeu joint	Dichtsatz	Juego guarnicion
	28-08084-8	Serie guarnizioni	Kit gasket	Jeu joint	Dichtsatz	Juego guarnicion